

USE AND MAINTENANCE SPARE PARTS

Stainless steel hand pallet truck



Model: **Easyinox HP20S/T**



Code: UMR.HP20.EN.REV.00 Edition: 03/2021 Language: English



Info: +39.0424.382080



info@easyinox.eu



EASYINOX

Thank you for using this stainless steel hand pallet truck (AISI 304 or AISI 316 on demand). Your hand pallet truck is made of high quality steel and has been designed to give you a durable, reliable and easy to use product. For your safety and correct operation, please read carefully the instructions before using it.

NOTE: all of the informations reported herein are based on data available at the moment of printing. We reserve the right to modify the products at any moment without previous notice. So, it is suggested, to verify possible updates.

1. GENERAL SPECIFICATIONS

nominal capacity:	2.000	Kg
forks length:	1.150	mm
forks external width:	520	mm
lifting:	115	mm
weight:	80	Kg

2. TO ADJUST RELEASE DEVICE

On the draw-bar of this hand pallet truck, you can find the control handle which can be regulated in three positions:

RAISE	handle down
DRIVE POSITION	handle in center position
LOWER	handle up, the lever moves back the drive position when released

3. GUIDE TO SAFETY OPERATION

3.1 OPERATOR should read all warning signs and instructions here and on the hand pallet truck before using the truck.

3.2 to pull the hand pallet truck, always move the control handle into the drive position: This makes the draw-bar easier to move and depressurizes the pump section of the hydraulics. This preserve the hydraulic seals and the valve components. A long service life can be expected.

3.3 DO NOT OPERATE a pallet truck unless you are familiar with it and have been trained or authorized to do so.

3.4 DO NOT OPERATE a pallet truck unless you have checked its condition. Give special attention to the wheels and rollers, the draw-bar unit, the fork unit, the lever plat, etc....

3.5 DO NOT USE on a slopping ground.

3.6 DO NOT TAKE up any people on the hand pallet truck.

3.7 When the goods have been transported, all people should be away from the forks.

3.8 THE OPERATOR had better take on gloves and shoes for labor protecting.

3.9 DO NOT load goods like fig. B.

3.10 DO NOT LOAD over maximum capacity.

4. MAINTENANCE

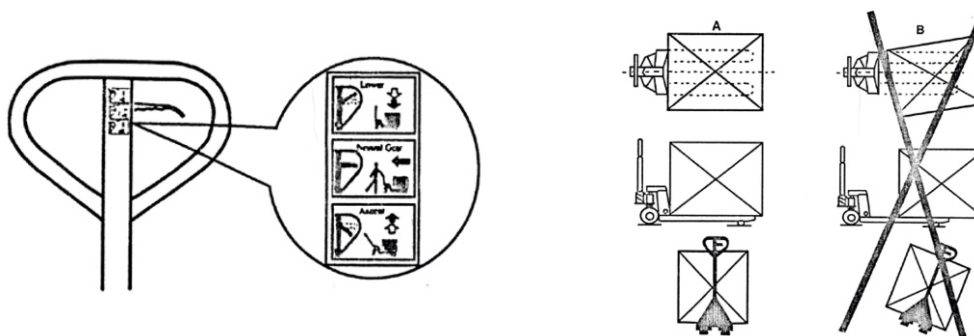
The maintenance must be carried out by specialized personnel and at least once a year the truck must be given a general checkup.

4.1 OIL Please check the oil level every six months. The oil can be hydraulic oil: H1 NSF.

4.2 TO BANISH THE AIR The air may come into the hydraulic oil because of transportation or pump in upset position. It can cause that the forks do not elevate while pumping in the RAISE position. The air can be banished in the following way: let the control handle on the LOWER position, then move the handle up and down for several times.

4.3 DAILY CHECK AND MAINTENANCE Daily check of the hand pallet truck can limit wear as much as possible. Special attention should be paid to the wheels, the axles, as thread, rags, etc. it may block the wheels. The fork should be unloaded and lowered in the lowest position when the job is over. Daily check of screws and bolts tightenings.

4.4 LUBRICATION All bearings and shafts are provided with long-life grease at the factory



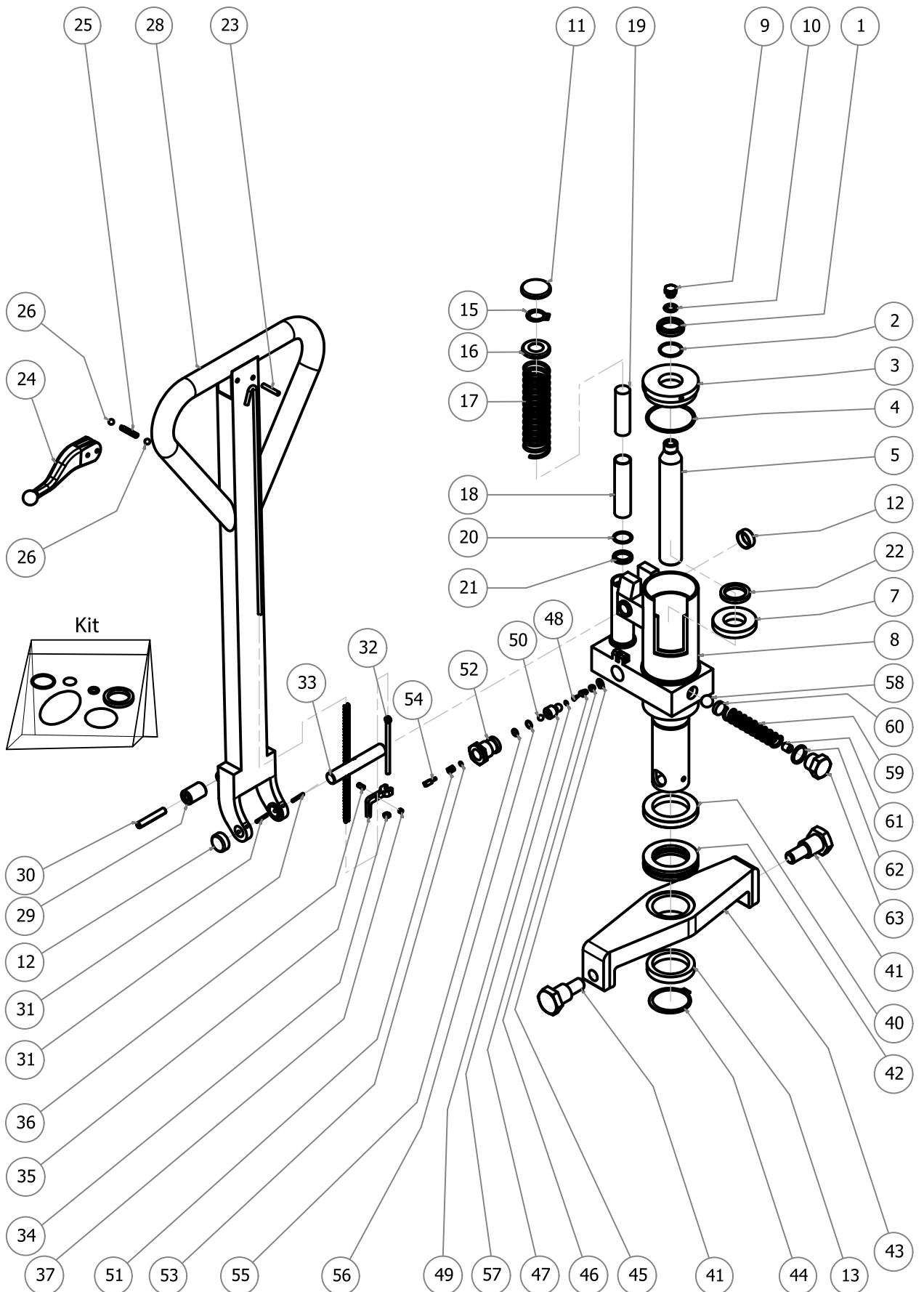
Before the commissioning or after each working shift, it is recommended to completely clean the unit with the high pressure machine and detergents to eliminate all the processing residues which may produce bacteria that contaminate the products handled.

NOTE: not attempt to repair the hand pallet truck unless you are trained and authorized to do it.

TROUBLE	CAUSE	SOLUTION
Forks can not raise the maximum height	the hydraulic oil is not enough	put in the oil
	without hydraulic oil	fill in the oil
	the oil has impurities	change oil
Forks can not be lifted up	presence of air in the circuit	banish the air (see item 4.2)
	the piston rod or pump body is deformed due to a decentralized load or due to overload	replace the piston rod or pump body.
Forks can not be lowered	the fork was kept in the high position for long time	keeping the fork in the lowest position if not using
Oil leaks	sealing parts worn or damaged	replace with the new one
	the impurities in the oil cause the release valve to be unable to close tight	replace the oil
Forks lower without the release valve worked	some parts of the hydraulic circuit are damaged or worn	inspect or replace worn and / or damaged parts
	presence of air in the oil	banish the air (see item 4.2)
	sealing parts worn or damaged	replace with the new one

5. SPARE PARTS

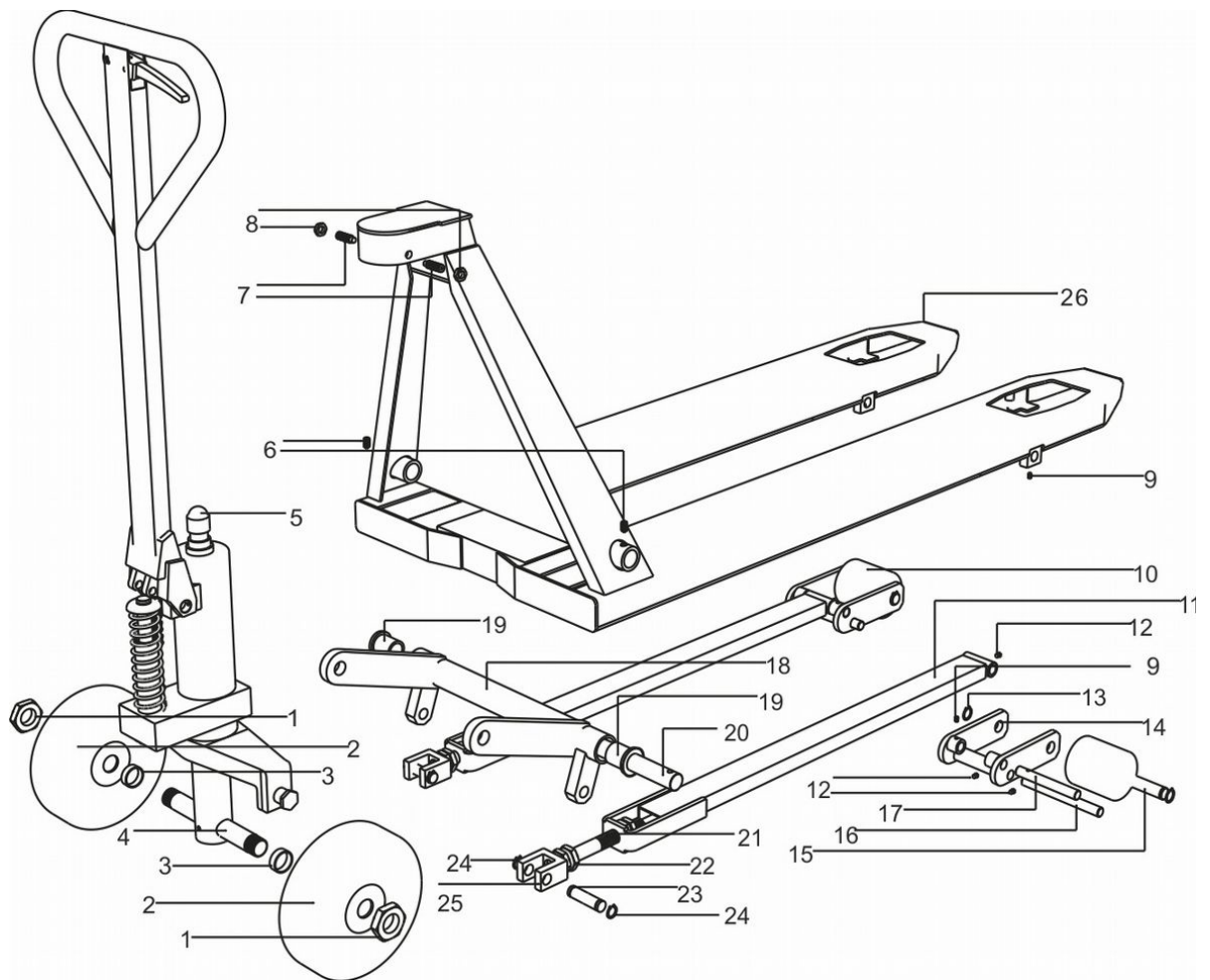
Tav. 1



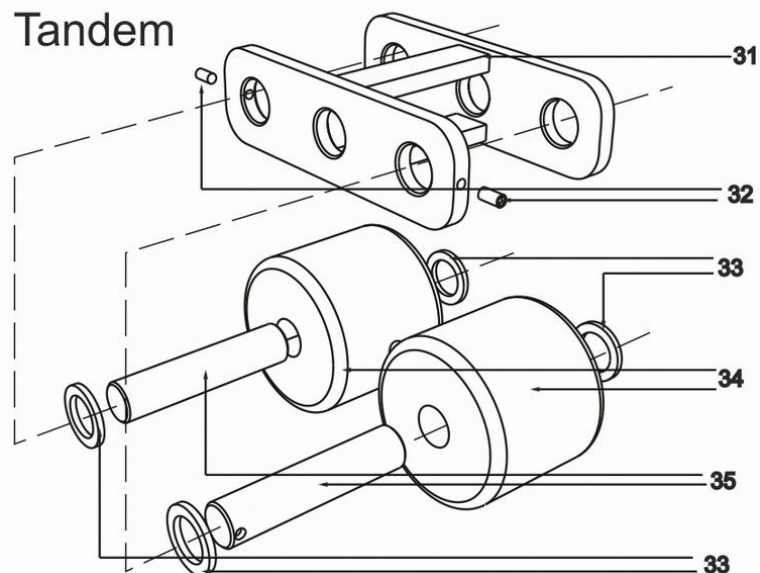
ITEM	Q.TY	CODE	DESCRIPTION
0	1	800442	Complete pump
1	1	800496	Seal
2	1	800497	OR
3	1	800498	Clamping ring
4	1	800499	OR
5	1	800044	Pumping rod
7	1	80002	Guide bush
8	1	800501	Pump case
9	1	800502	Plug
10	1	800503	Washer
11	1	800494	Protective bush
12	2	800486	Drinox bush
13	1	800504	Bush
15	1	800505	Seeger
16	1	800178	Spring cover
17	1	800177	Pump spring
18	1	800506	Pump pin
19	1	800507	Pump bush
20	1	800508	Gasket
21	1	800509	Gasket
22	1	800510	Gasket
23	1	800511	Elastic pin
24	1	800512	Plastic handle
25	1	800513	Handle spring
26	2	800514	Ball
28	1	800495	Lever handle
29	1	800515	Roll
30	1	800516	Elastic pin
31	2	800517	Elastic pin
32	1	800518	Complete tierod
33	2	800042	Lever connection pin
34	1	800519	Nut
35	1	800520	Lever pedal
36	1	800521	Elastic pin
37	1	800522	Nut
40	1	800485	Plastic spacer
41	2	800523	Screw
42	1	800035	Slewing ring bearing
43	1	800524	Plate
44	1	800525	Seeger
45	1	800526	Seeger
46	1	800527	Guide bush
47	1	800528	Conical spring
48	1	800529	Lever valve cone
49	1	800530	Lever valve case
50	1	800531	Ball
51	1	800532	Washer
52	1	800533	Pin guide
53	1	800534	Spring
54	1	800535	Pin
55	1	800536	OR
56	1	800537	OR
57	1	800538	OR
58	1	800539	Ball
59	1	800540	Spring
60	1	800541	Ball cover
61	1	800542	Register grain
62	1	800543	Washer
63	1	800544	Valve plug
KIT	1	800265	Set of gaskets

5. SPARE PARTS

Tav.2



Tandem




ITEM	Q.TY	CODE	DESCRIPTION
1	2	800519	nut
2	2	800129	wheel
3	2	800441	spacer
4	1	800042	pin
5	1	800545	ball
6	2	800523	screw
7	2	800542	screw
8	2	800519	nut
9	4	800546	screw
10	2	800031	wheel
11	2	800727	rod
12	6	800728	greaser
13	4	800505	seeger
14	2	800450	front lever
15	2	800039	pin
16	2	800452	pin
17	2	800451	pin
18	1	800547	rear lever
19	2	800500	bush
20	1	800455	pin
21	2	800711	threaded rod
22	8	800522	nut
23	2	800453	pin
24	4	800525	seeger
25	2	800712	support
26	1	800558	forks
31	1	800150	support
32	2	800151	grain
33	4	800202	spacer
34	2	800013	roller
35	2	800040	pin





Dealer stamp



Manufacturer: ITALIANA CARRELLI ELEVATORI SRL

 Romano d'Ezzelino (VI) Italy

 +39.0424.382080

 +39.0424.510432

 www.easyinox.eu

 info@easyinox.eu